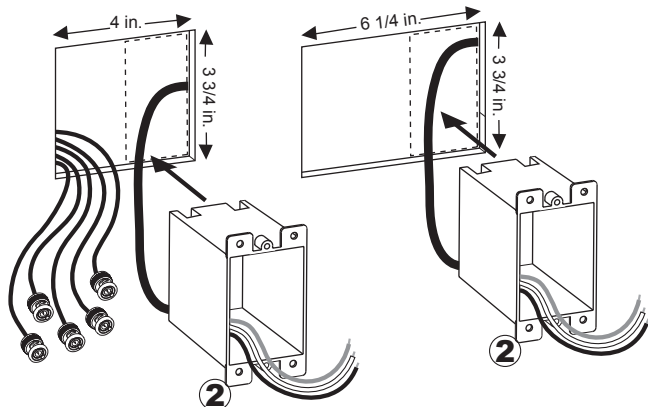


Panamax MIW-POWER & MIW-POWER-3BAY Installation Instructions

CAUTION: Only for use with 15 Amp branch circuits utilizing 14 or 12 gauge wire. Make sure the branch circuit is de-energized before installation.

• For MIW-POWER, cut a 4-inch wide by 3 3/4 - inch high hole in the wall.

• For MIW-POWER-3BAY, cut a 6 1/4 - inch wide by 3 3/4 - inch high hole.



STEP 1:

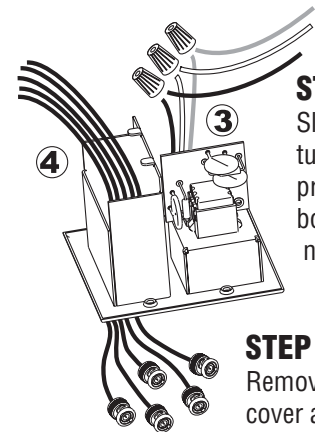
Select a location close to the display device (Plasma TV, DLP, etc.). In the case of a wall-mounted Plasma TV, this may be behind the display device and totally hidden from view once the Plasma TV is mounted.

MIW-Power NOTE: For new construction (pre-wire): Use a Carlon new-work electrical box (Model B122A). A Carlon low voltage add-on bracket (Model SC1 0OSC) may be used with the new-work box to indicate the size and location of the opening needed in the drywall. The low-voltage bracket may be left in place when installing the MIW-Power.

MIW-Power-3Bay NOTE: For new construction (pre-wire): Use a Carlon new-work electrical box (Model B122A). Carlon low-voltage add-on brackets cannot be used since there is no way to remove them after the drywall is installed. The width of the opening in the drywall will have to be enlarged (carefully) to allow installation of the 3-bay unit.

STEP 2:

Run the AC wires through the lower-left entry of the outlet box. No more than 1 inch of wire sheath should extend into the outlet box. 3 inches of wire should be able to extend beyond the opening of the outlet box. Install the outlet box into the right side of the hole.



STEP 3:

Slide the included shrink-wrap tubing over the ground wire to prevent contact with the circuit board. Use the included wire nuts to connect the wires.

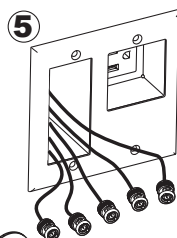
STEP 4:

Remove the blank module interface cover and run the signal cables through the opening.

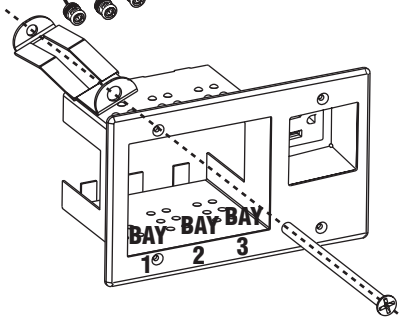
The MIW-Power-3Bay will accommodate up to 3 modules and includes 3 separate blank cover plates. Remove only the ones being replaced with signal-line modules.

STEP 5:

Neatly fold the AC wires as you install the protector into the wall with the AC side fitting into the outlet box. Secure the unit to the outlet box with the included screws.



MIW-Power NOTE: Only the right side screws are used to mount the protector into the included outlet box. The left side screws are for appearance only and are held on with the included plastic washers. All four screws are used when mounting the protector to a new-work electrical box and add-on bracket.



MIW-Power-3Bay NOTE:

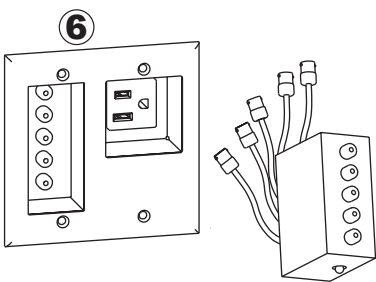
The right side screws are used to mount the protector into the included outlet box. The left side screws and compression brackets secure the module bay portion of the unit to the drywall and provide support for the weight of the signal-line cables.

STEP 6:

STEP 6:

Connect the signal cables to the appropriate Max In-Wall module (sold separately) and slide the module into the opening. The module can be installed to three different depths, from flush to full recess. To remove the module, use the tool included with the module.

NOTE: The signal-line module shown is for illustration purposes, and is not included with the base unit. A variety of modules are sold separately. This product must be used with the blank module cover interface, or a signal-line module installed.



Panamax® In-Wall Surge Protector Product Warranty

Panamax warrants to the purchaser of any Panamax In-Wall surge protector, for a period of 3 years from its installation date, that the surge protector shall be free of defects in design, material, or workmanship, and Panamax will repair or replace any defective unit. For product replacement see "NOTIFICATION" below.

CAUTION: Audio/Video, computer and/or telephone system installations can be very complex systems, which consist of many interconnected components. Due to the nature of electricity and surges, a single protector may not be able to completely protect complex installations. In those cases, a systematic approach using multiple protectors must be employed. Systematic protection requires professional design. AC power, satellite cables, CATV cables, or telephone/network lines entering the system that do not pass through this surge protector will provide pathways for potential surge damage. For additional information on how to protect your system, please contact Panamax before connecting your equipment to the surge protector.

More detailed information is available at www.panamax.com

If you have any questions regarding these requirements, please contact Panamax Customer Relations.

1. PROPER INSTALLATION: Panamax In-Wall AC and Signal-line protectors are designed to provide code-compliant (NEC or CEC) installations. Separate signal-line protection modules must be used with the appropriate AC base unit to provide proper grounding. Building wiring and other connections to protected equipment must conform to applicable codes (NEC or CEC). No other ground wires or ground connections may be used. All wires (including, e.g., AC power lines, telephone lines, signal/data lines, coaxial cable, antenna lead-ins) leading into the protected equipment must first pass through a single Panamax protector designed for the particular application. The protector and the equipment to be protected must be indoors in a dry location, and in the same building. Panamax installation instructions and diagrams must be followed.

2. NOTIFICATION: You must obtain a return merchandise authorization (RMA) number from the Panamax Customer Relations Department at www.panamax.com/support ** or toll-free at 1-800-472-5555 before returning the protector to Panamax.

Once you obtain an RMA number, please mark the number on the bottom of the unit and pack it in a shipping carton/box with enough packing material to protect it during transit. The RMA number must be clearly marked on the outside of the carton. Ship the unit to Panamax. Please note that you are responsible for any and all charges related to shipping the unit to Panamax.

3. DETERMINATION OF FAILURE: Panamax will evaluate the protector for defects. Opening the enclosure, tampering with, or modifying the unit in any way shall be grounds for an automatic denial of your request for replacement. Panamax, after evaluating the unit, shall in its sole discretion, determine whether or not your protector is eligible for replacement.

If the surge protector shows no defects, Panamax will return the unit to you with a letter explaining the test results. Exception: If a dealer or installer replaces the protector for the customer, the unit will be returned to the dealer or installer.

4. GENERAL: If you have any questions regarding the product warranty, please contact the Panamax Customer Relations Department at www.panamax.com/support or toll-free at 1-800-472-5555. This warranty supersedes all previous warranties. This is the only warranty provided with the protector and any other implied or expressed warranties are non-existent. This warranty may not be modified except in writing, signed by an officer of the Panamax Corporation.

** Forms are available on the Panamax web site for requesting RMA's.

Effective Date 07/03

Q01L0040 Rev. C

